

Original Glassware

Safety precision and durability you rely on

Contents

Rotavapor®	5
Evaporating Flask	5
Vapour Ducts	7
Receiving Flask	10
Beaker Flask	10
Distillation Spider	11
Small Components	12
Spare parts for Rotavapor® R-210/215	14
Spare parts for Rotavapor® R-200/205	16
Spare parts for Rotavapor®	18
Rotavapor® R-200 / R-205	20
Special Assembly	22
Syncore®	23
Multivapor™	24
Rotavapor®	25
20/50/100 liters	27
Vacuum Systems	28
Glass Oven	29
Mini Spray Dryer	31
Melting Point	33
Boiling Point	33
Preparative Chromatography	34
Hydrolysis Unit	35
Extraction Unit	36
Mixer / Wet Digester	37
Digestion / Distillation	38
Distillation Unit	38
Accessories	40
Digestion Unit	40
Scrubber	41
Global Partnership	42

Only the Original Offers Threefold Reliability

No compromises on safety

The quality and precision of BUCHI replacement glassware guards from breakage and prevents the escape of substances.

No fitting and operational problems

With BUCHI replacement glassware there is no **untrue running** of evaporating flasks, no loss of vacuum due to poorly centred flanged screw couplings, and no time loss through unit stoppages.

Longer service life of your units

Troublefree operation prolongs the life of your BUCHI units. With BUCHI replacement glassware you therefore choose the best possible cost/utility ratio!

BUCHI Quality Criteria

High-quality glass: Inert industrial glass (borosilicate 3.3, ISO/DIN 3585), resistant to chemicals, little **dulling** from contact with acids and alkalis.

Generous wall thickness: Uniform thickness, also at the base, hence fewer breakages.

Tension-relieved at 540°C: Highly shock resistant, no internal tensions, increased compression and vacuum resistance.

Resistant to temperature changes of 180°C: Heat-resistant, suitable also for oil baths, no thermal bursting.

Exactly centred flanged screw couplings: No loss of vacuum, **no untrue running** of evaporating flasks, no splashing in the heating bath.

Closed surface: No sticking of substances, no **entrainment**, easy cleaning.

«PLASTIC+GLAS»: Protection against mechanical damage and splinters in the event of breakage, no loss of substance if the glass breaks.

Strict quality control: No kinks or changes in glass bends, no bulges or accumulations, no flaws or tolerance violations.

Flexible Customer Service

Approved standard products

This catalogue describes our extensive range of standard replacement glassware for BUCHI laboratory units, complete with dimensions, data and order numbers.

Customized production just as you require

If you would like a glass component to be modified in any way, this can be arranged without difficulty. We even develop complex new designs for special needs. Gain from our experience. We'll meet your wishes with a flexible response.

Fast help in emergencies

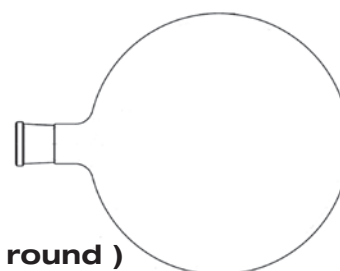
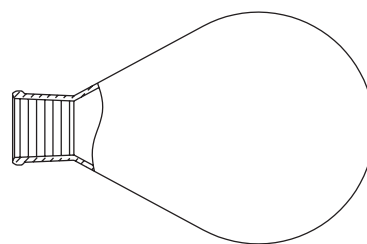
If – in spite of all precautions – your unit grinds to a halt or an emergency arises, you also can count on us. We'll advise you by phone and send off replacement glassware also by express delivery at the same day if at all possible!

Rotavapor® Evaporating Flasks

STJ evaporating flasks (pear-shaped), (*round)

An STJ flange adapter is needed in addition for reflux units

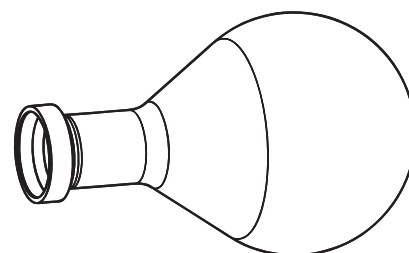
Volume	29.2/32	24/40	29.2/42
50 ml	00431	08750	08736
100 ml	00432	08751	08737
250 ml	00433	08754	08738
500 ml	00434	08758	08739
1000 ml	00435	00440	08762
2000 ml	00436	08765	08769
3000 ml	00437	08767	08770
4000 ml	47991	47990	
5000 ml*	46573	46586	



(* round)

Flanged evaporating flask R-200 / R-205

Volume	29.2/32	24/40	29.2/42
100 ml	00432	40675	08738
250 ml	00433	40676	08738
500 ml	00434	40677	08739
1000 ml	00435	40678	08762
2000 ml	00436	40679	08769
3000 ml	00437	40680	08770



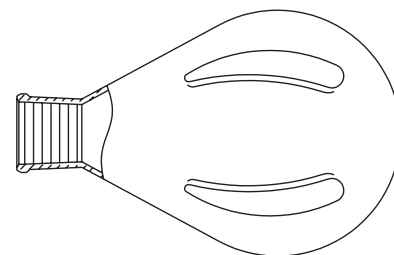
STJ evaporating flasks (pear-shaped), (*round) PLASTIC+GLAS

Volume	29.2/32	24/40	29.2/42
50 ml	33405	08750	08736
250 ml	25520	08754	08738
500 ml	25322	25261	08739
1000 ml	20729	20730	25517
2000 ml	25323	25262	27345
3000 ml	25324	25263	27346
4000 ml	47993	47992	
5000 ml*	46583	46596	

Rotavapor®
Evaporating Flasks

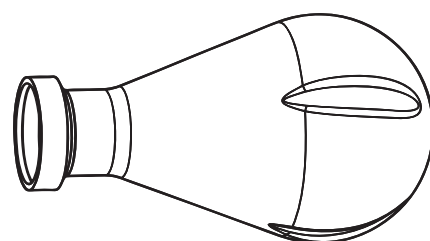
STJ drying flask

Volume	29.2/32	24/40
500ml	00452	11579
1000ml	00453	00420
2000ml	00454	11580



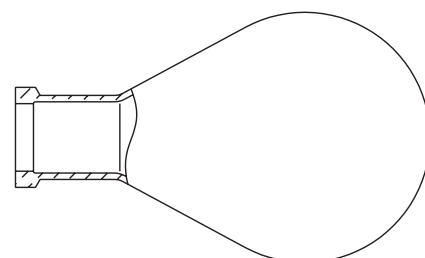
Flanged drying flask R-200/R-205

Volume	29.2/32	24/40	29.2/42
500 ml	00434	40682	08739
1000 ml	00435	40683	08762
2000 ml	00436	40684	08769



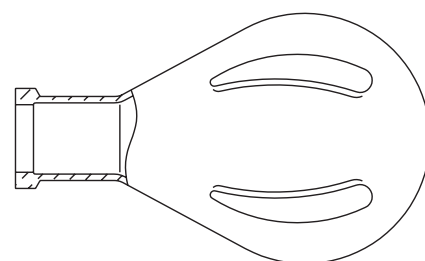
Flanged evaporating flask for reflux-systems

Volume	29.2/32	24/40	29.2/42
100 ml	33405	11607	08736
250 ml	25520	11146	08738
500 ml	25322	11147	08739
1000 ml	20729	11148	25517
2000 ml	25323	11149	27345
3000 ml	25324	11150	27346



Flanged drying flask for reflux-systems

Volume	29.2/32	24/40	29.2/42
500 ml	00434	11610	08739
1000 ml	00435	11611	08762
2000 ml	00436	11612	08769



Vapor Ducts

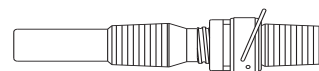
R-210/215 - Vapor ducts

Glass	STJ	without combi-clip	with combi-clip
A	24/40	48068	48165
A	29/32	46964	48164
A	29/42	48072	48166
A	34/35	48074	48167
V, C, S, E, CR, BY	24/40	48067	48161
V, C, S, E, CR, BY	24/29		44444
V, C, S, E, CR, BY	29/32	46962	48160
V, C, S, E, CR, BY	29/42	48069	48162
V, C, S, E, CR, BY	34/35	48073	48163



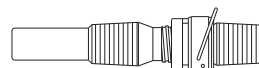
R-210/215 - Vapor ducts or analytical applications

Glass	STJ	without combi-clip	with combi-clip
V,C,S,E,CR,BY	29/32		50560
V,C,S,E,CR,BY	24/40		50561
V,C,S,E,CR,BY	29/42		50562
V,C,S,E,CR,BY	34/35		50563



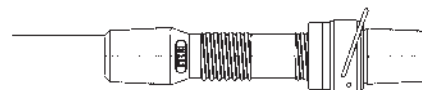
R-114/R-124/R-134/R-144 - Vapor ducts

Glass	STJ	without combi-clip	with combi-clip
A	29.2/32	32001	32340
A	24/40	32336	32342
A	29.2/42	32338	32344
V&C	29.2/32	32002	32339
V&C	24/40	32335	32341
V&C	29.2/42	32337	32343



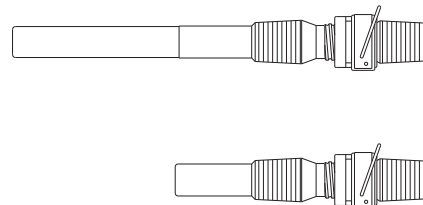
Vapor ducts for 50 ml flasks

Glass	STJ	without combi-clip	with T-clip
A	29.2/32	32887	32890
V&C	29.2/33	32888	32889



R/RE/R-110/R-111/R-120/R-121/RE-140 - Vapor duct

Glass	STJ	without combi-clip	with combi-clip
A	29.2/32	23730	17484
A	24/40	23737	17486
A	29.2/42	27079	17488
B&C	29.2/32	23748	17485
B&C	24/40	23738	17487
B&C	29.2/42	27078	17489

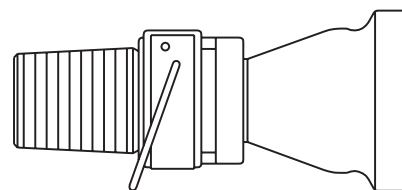


Vapor ducts for 50 ml flasks

Glass	STJ	without combi-clip
A	29.2/32	23907

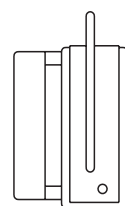
Adapter flange

STJ	without combi-clip	with combi-clip
29.2/32	23733	25419
24/40	23747	25421
29.2/42	23733	25420



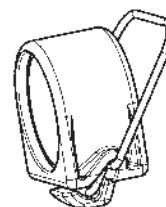
Combi-clip

STJ	
29.2/32	23375
29.2/42	23375
24/40	27267
34/35	27267



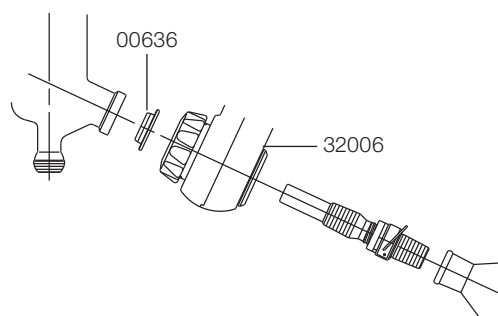
Combi-clip R-200/205

STJ	
NS 29.2/32	40620
NS 29.2/42	40620
NS 24/40	40620



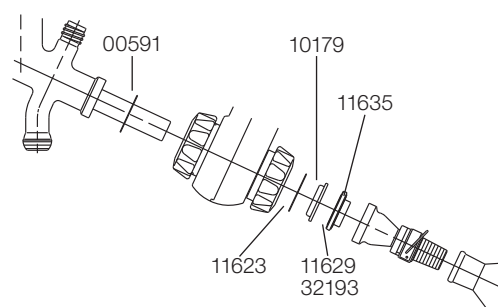
Stationary-sealing system

Seal KD-22	00636
Covering ring	32006



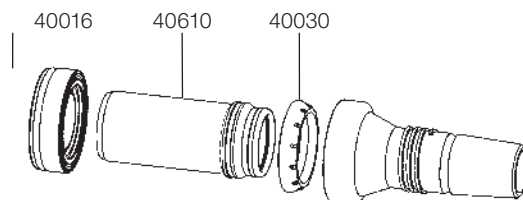
Reflux-sealing system

Flat seal	00591
Seal KD-26	10179
Back-up ring, stainless steel	11623
FPM O-ring	11629
Protecting ring with 2 O-rings	11635
EPDM O-ring (optional)	32193



Sealing system R-200/205

Joint adaptor compl. with combi-clip on 29.2/32 joint	40615
Joint adaptor compl. with combi-clip on 24/40 joint	40616
Joint adaptor compl. with combi-clip on 29.2/42 joint	40617
Joint adaptor compl. with NS clamp on 34.5/35 joint	40618
Steam pipe	40610
Adaptor seal, complete set of qty. 2	40030
Seal KD 34, complete	40016
Seal compl. with steam tube and seals 40016 + 40030	40010

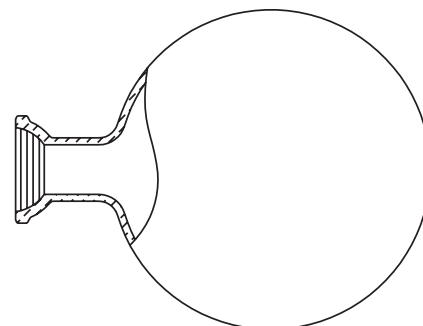


Receiving Flasks / Beaker Flasks / Distillation Spider

Receiving flask (with SGJ 35/20)

Volume	uncoated	P+G	Low temp.
50ml	00421	on request	
100 ml	00422	on request	
250 ml	00423	on request	
500 ml	00424	25264	40774*
1000 ml	00425	20728	40775*
2000 ml	00426	25265	40776*
3000 ml	00427	25266	40777*

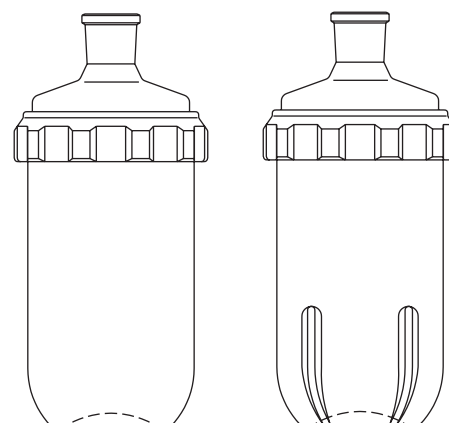
* for cold trap applications



Beaker flasks

For the processing of highly viscous and solid substances. The large opening permits troublefree emptying and cleaning. Foaming solutions are also better processed in beaker flasks.

1,5 l Version	Beaker flask cpl.	Drying flask cpl.
with flange	34142	34268
NS 29.2/32	34230	34269
NS 24/40	34247	34270
0,5 l Version	Beaker flask cpl.	Drying flask cpl.
with flange	34763	34766
NS 29.2/32	34764	34767
NS 24/40	34765	34768

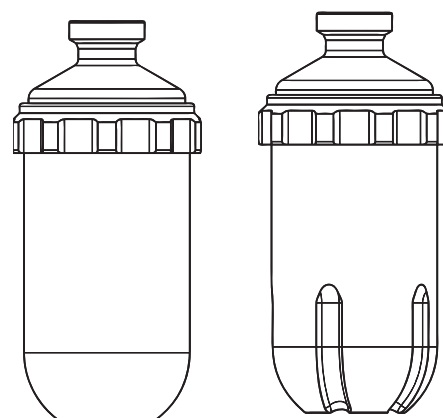


Beaker flask

Drying flask

Beaker flasks for R-200/205

1,5 l Version	Beaker flask cpl.	Drying flask cpl.
with flange	40696	40697
NS 29.2/32	34230	34269
NS 24/40	34247	34270
0,5 l Version	Beaker flask cpl.	Drying flask cpl.
with flange	40692	40693
NS 29.2/32	34764	34767
NS 24/40	34765	34768



Beaker flask

Drying flask

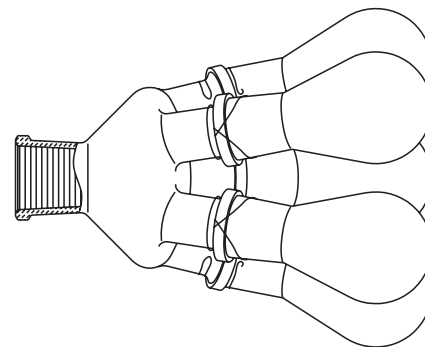
Volume 1,5 l Version = 500 ml 0,5 l Version = 150 ml

Receiving Flasks / Beaker Flasks / Distillation Spider

Distillation spider

For simultaneous distillation from 5 evaporating flasks with STJ 24/29

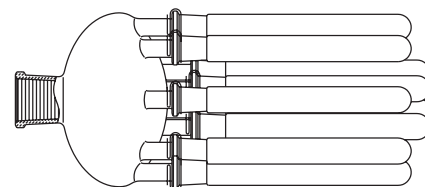
Flask volume	29.2	24/40
with 50 ml flask (5 pcs)	01332	11574
with 100 ml flask (5 pcs)	01333	11575



Distillation spider

For simultaneous distillation from 20 ml cylindric flasks with STJ 14.5/23

No of flasks	29.2/32	24/40
with 6 cylindric flasks	01334	
with 12 cylindric flasks	01335	11577
with 20 cylindric flasks	01336	11578

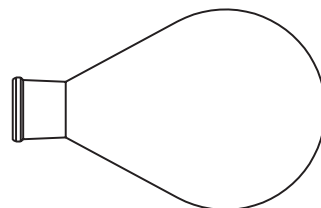


Small Components

Evaporating flask for distillation spider

Volume

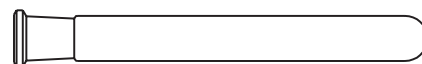
50 ml	00472
100 ml	00473



Cylindric flask for distillation spider

Volume

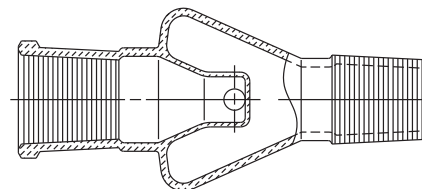
20 ml	00477
-------	-------



Reitmeyer trap R-114/124/134/144/R-3000/R-210/215

For light-foaming solutions

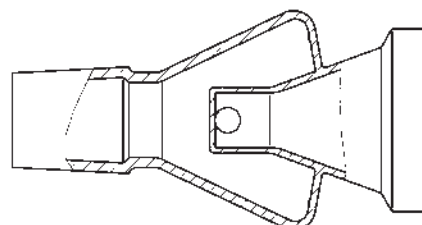
29.2/32	36576
24/40	36577



Reitmeyer trap R-200/205

For light-foaming solutions

Flange with NS 29.2/32	40667
Flange with NS 24/40	40668

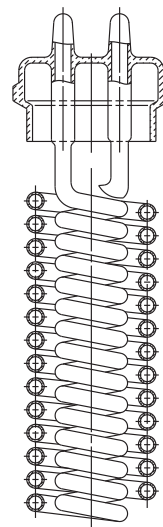


Small Components

Cooling coil insert

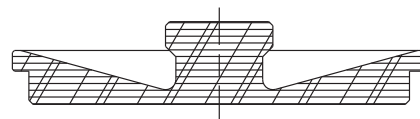
This coil can be hooked into the cold trap in place of the cold finger. The cold trap can then be used like a normal liquid-cooled condenser.

Cooling coil insert cpl. (27487 + 27462)	27488
Cooling coil insert	27487
Cold-Trap seal cpl. (PTFE-ring with 2 O-rings)	27462
O-ring Ø 95 EPDM	27461
O-ring Ø 98 EPDM	37017



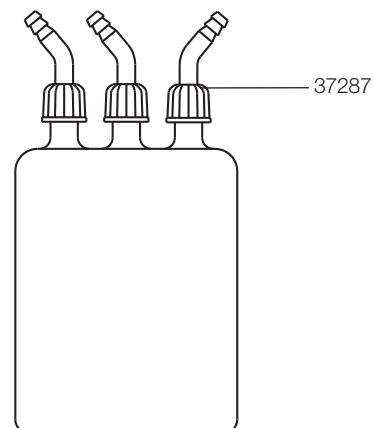
Cover on cold-trap C and CR-assembly

Cover	27479
-------	-------



Woulff' bottle (3-neck cpl.)

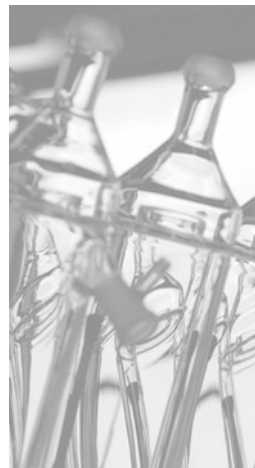
Woulff' bottle cpl. (25518 + 37287)	25519
Hose nipple GL-14 bent, cpl. (4 pcs)	37287



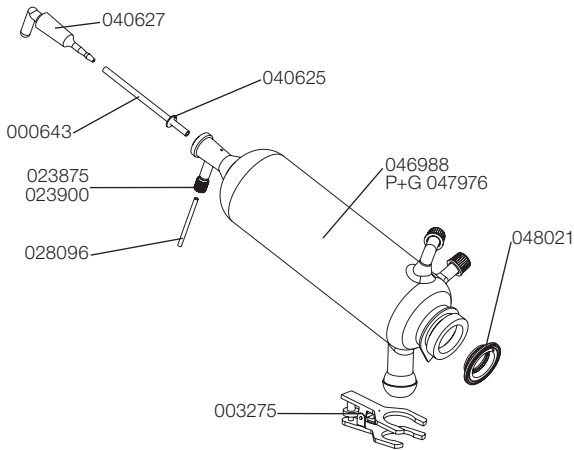
Spare Parts for Rotavapor® R-210/R-215

PTFE tube 460 mm	643
PTFE tube 300 mm	646
Cold trap inner part	672
Expansion vessel (incl. 40624)	1002
U-tube (incl 40624)	1003
Vacuum connector (incl. tube connection GL-14, complete)	1004
Clip for receiving flask S35	3275
Condenser (incl. tube connection GL-14 complete)	10183
Cold trap outer part (incl. tube connection GL-14 complete)	11228
Screw cap GL-10	23875
FPM O ring 3 x 2.7 mm	23900
Cold trap outer part P+G (incl. tube connection GL-14 complete)	25614
Cross sleeve	27344
Seal PTFE / FDM complete	27462
Cap for cold trap	27479
PTFE tube, 600 mm	28096
Rubber band	32013
Expansion vessel P+G (including 40624)	33507
U tube P+G (incl. 40624)	33508
Condenser P+G (incl. tube connection GL-14 complete)	33511
Vacuum connection including cock	35026
Vertical condenser P+G for glass assembly BY	35040
Tube connection GL-14, bent, complete, set of 4	37287
Set of tube connections straight GL-14, 4 pieces, 4 x olive straight with screw caps	37642
Set of tube connections GL-14, 4 x bent / 2 x straight / 6 x screw caps	38000
Set screw cap GL-14	40624
PTFE disk (drain disk)	40625
Shut-off tab	40626
Stop cocks SJ 18.8/38 for glass assemblies A/BY/C/CR/E/S/V	40627
Stop cocks SJ 18.8/38 for glass assemblies C/CR	40628
Cold trap outer part (incl. 23875+23900 (incl. tube connection GL-14 complete)	40641
Vertical condenser S, incl. tube connection GL-14 complete	40651
Vertical condenser S, P+G incl. tube connection GL-14 complete	40653
Distribution head including 23875+23900 for glass assemblies CR/S	40657
Distribution head P+G including 23875+23900 for glass assemblies CR/S	40658
Glass assembly E complete with 1 l receiving flask, including support rod E	40660
Distribution head including 23875+23900 for glass assemblies E	40661
Glass assembly E P+G complete with 1 l receiving flask	40662
Distribution head P+G including 23875+23900 for glass assemblies E	40663
Diagonal condenser A 05 (23875+23900)+Tube connection GL-14 complete)	46988
Diagonal condenser A 05 P+G (23875+23900)+Tube connection GL-14 complete)	47976
Gasket WD 26 (seal)	48021
E: Flange screwed connection, complete S, CR, BY Reflux insert, complete	48080
Vapor duct SJ 29/32 with Combi Clip	48160
Vertical condenser BY	48177
Support rod C/S complete (optional)	48180
Support rod E complete (optional)	48181

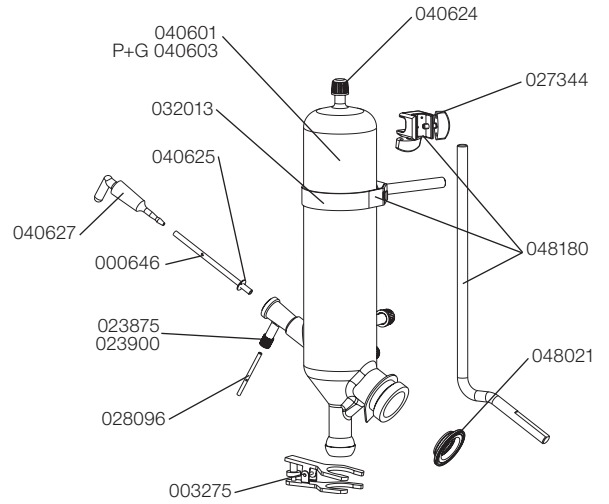
P+G = PLASTIC + GLAS



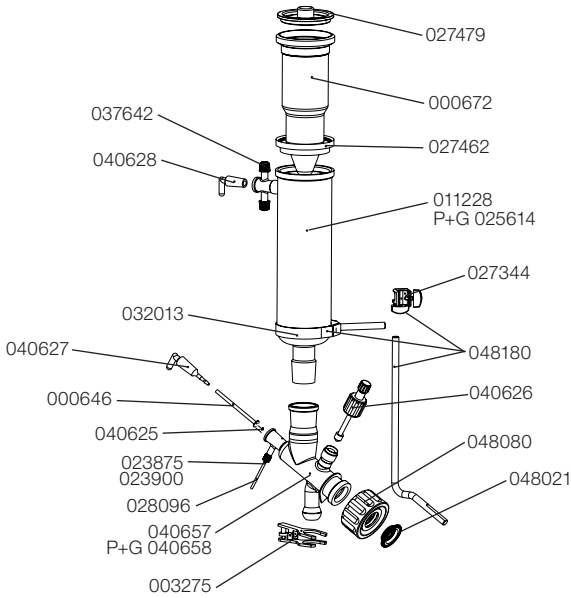
Glass Assembly A



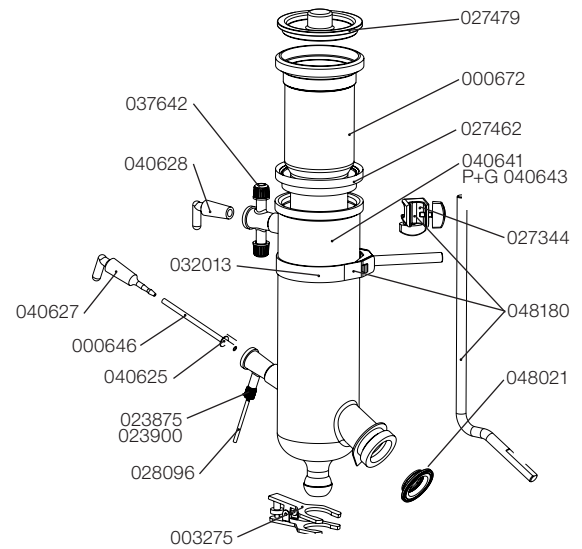
Glass Assembly V



Glass Assembly CR

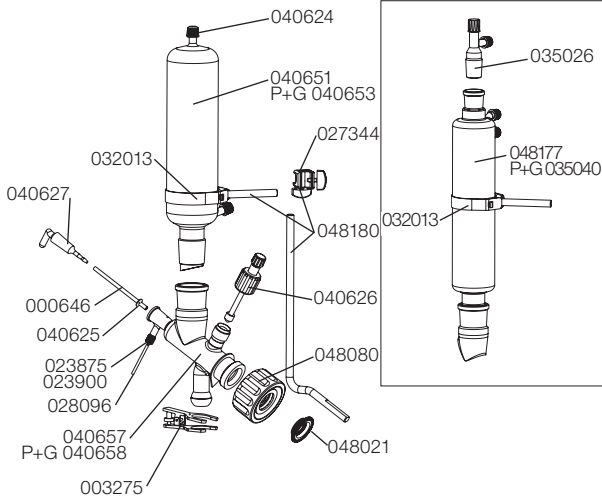


Glass Assembly C

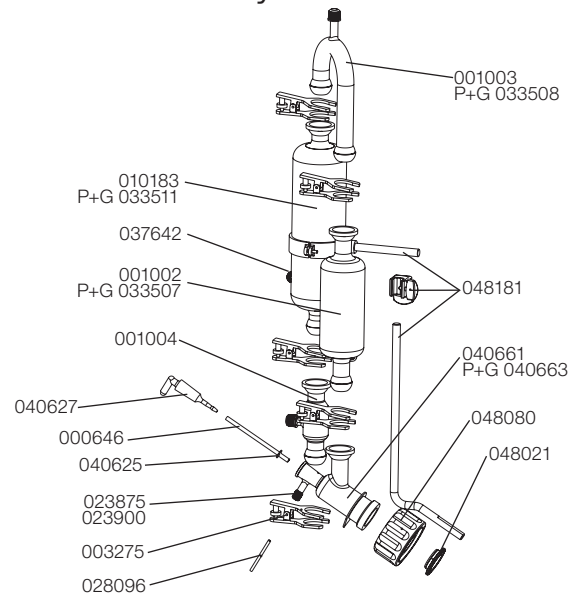


Glass Assembly S / BY

Glass Assembly S Glass Assembly BY



Glass Assembly E



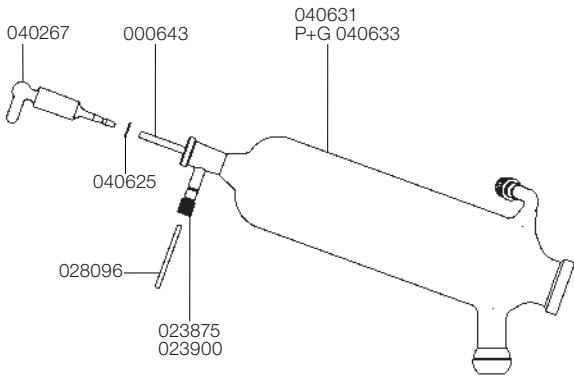
Spare Parts for Rotavapor® R-200/R-205

PTFE hose 460 mm	643
Cold trap	672
Expansion vessel (incl. 25435)	1002
U-tube (incl. 25435)	1003
Vacuum adaptor (incl. hose nipple GL-14 compl.)	1004
E-condenser (incl hose nipple GL-14 compl.)	10183
Cold trap CR exterior (incl. hose nipple GL-14 compl.)	11228
Screw cap GL-10	23875
O-ring 2.7 x 3 mm	23900
Screw cap GL-14	25435
Cold trap exterior CR P+G (incl. hose nipple GL-14 compl.)	25614
Seal PTFE/Viton compl	27462
Cover for cold trap	27479
PTFE-hose,600 mm	28096
Expansion vessel P+G (incl. 25435)	33507
U-tube P+G (incl. 25435)	33508
E-condenser P+G (incl. hose nipple GL-14 compl.)	33511
V-Condenser (23875 + 23900 + 25435 + hose nipple GL-14 compl.)	40601
V-Condenser P+G (23875 + 23900 + 25435 + hose nipple GL-14 compl.)	40603
PTFE Drain plate	40625
Shut-off valve	40626
Stop cock NS 18.8/38	40627
Stop cock NS 18.8/38	40628
Diagonal condenser A (23875 + 23900 + hose nipple GL-14 compl.)	40631
Diagonal condenser A P+G (23875 + 23900 + hose nipple GL-14 compl.)	40633
Cold Trap exterior (incl. 23900 + 23875 + hose nipple GL-14 compl.)	40641
Cold Trap exterior P+G (incl. 23900 + 23875 + hose nipple GL-14 compl.)	40643
Vertical condenser (incl. 25435 + hose nipple GL-14 compl.)	40651
Vertical condenser P+G (incl. 2 x 32885 + 25435 + hose nipple GL-14 compl.)	40653
Distribution head compl. (incl. 23900 + 23875)	40657
Distribution head compl. P+G (incl. 23875 + 23900)	40658
Distribution head (incl. 23875 + 23900)	40661
Distribution head P+G (incl. 23875 + 23900)	40663

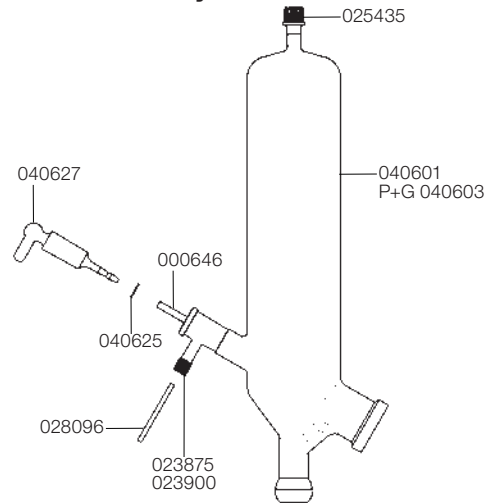
P+G = PLASTIC + GLAS



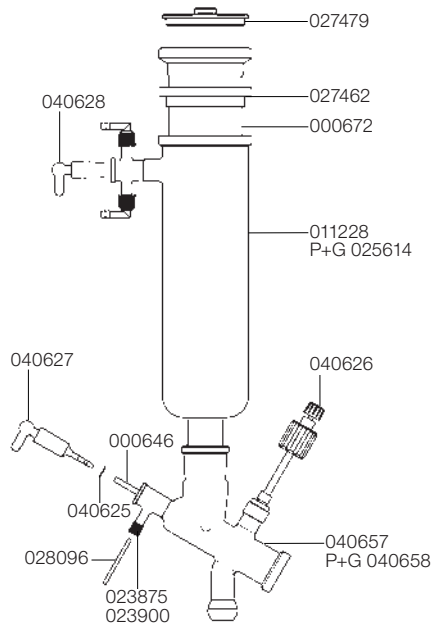
Glass Assembly A



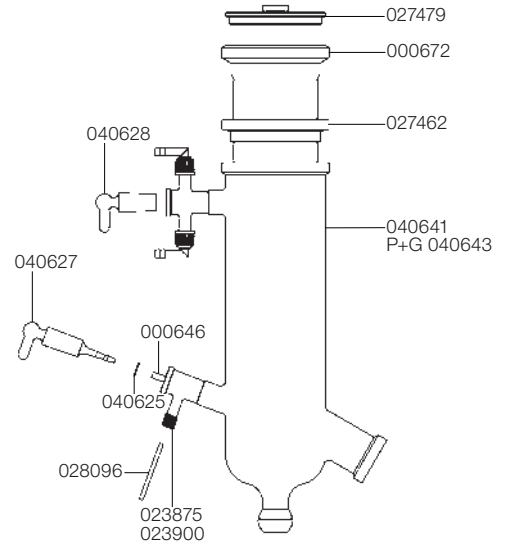
Glass Assembly V



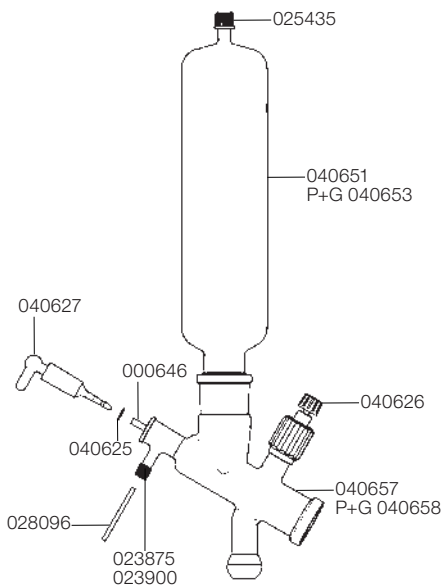
Glass Assembly CR



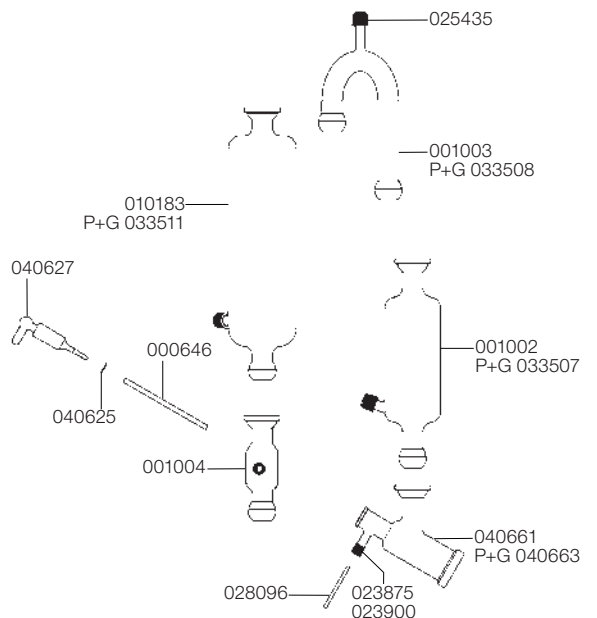
Glass Assembly C



Glass Assembly S



Glass Assembly E



Spare Parts for Rotavapor®

Spare parts for glass assembly and Rotavapor®:

Glass assembly A, V, C for Rotavapor®:

R/RE/R-110/R-111/R-120/R-121/RE-140/R-114/R-124/
R-134/R-144/R-3000

Glass assembly S for Rotavapor®:

R-114/R-124/R-134/R-144

Glass assembly S with distribution head
B also for Rotavapor®:

R-111/R-121/RE-140

Glass assembly CR for Rotavapor®:

R-114/R-124/R-134/R-144

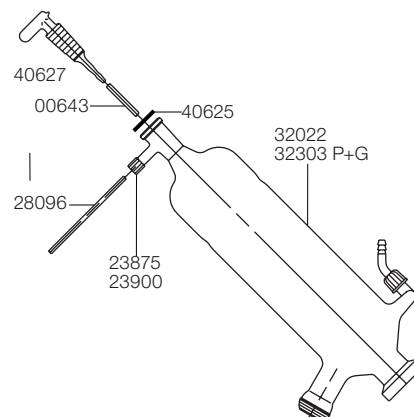
Glass assembly E for Rotavapor®:

EL-131/EL-141/R-114/R-124/R-134/R-144

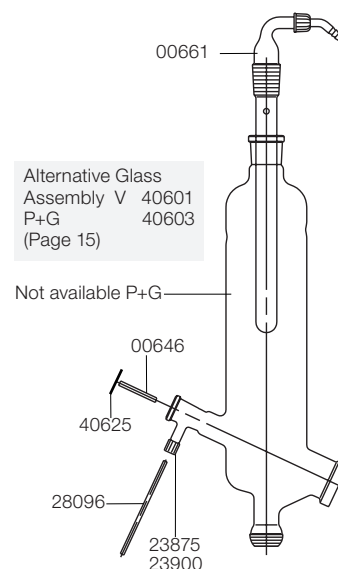
PTFE hose 460 mm	00643
PTFE-hose 300 mm	00646
Vacuum connectors	00661
Cold trap	00672
Screw cap GL-10	23875
O-ring 2.7 x 3 mm	23900
Screw cap GL-14	25435
Seal PTFE/Viton	27462
Cover for cold trap	27479
PTFE hose 600 mm	28096
Diagonal condenser A (incl. 23875 + 23900 + hose nipple GL-14 compl.)	32022
Diagonal condenser A P+G (23875 + 23900 + hose nipple GL-14 compl.)	32303
Set of hose nipples GL-14, curved, compl. (qty. 4)	37287
V-condenser (incl. 23875 + 23900 + 25435 + hose nipple GL-14 compl.)	40601
V-condenser P+G (23875 + 23900 + 25435 + hose nipple GL-14 compl.)	40603
PTFE plate (drain plate)	40625
Stop cock NS 18.8/38	40627
Stop cock NS 18.8/38	40628
Cold trap exterior (incl. hose nipple GL-14 compl.)	40641
Cold trap exterior P+G (incl. hose nipple GL-14 compl.)	40643

P+G = PLASTIC + GLAS

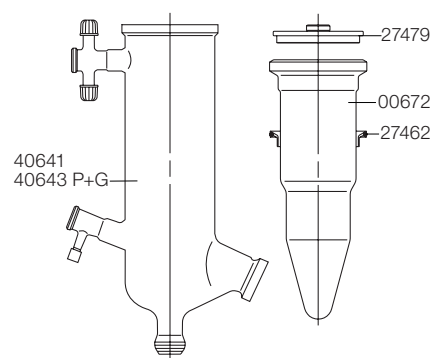
Glass Assembly A



Glass Assembly V



Glass Assembly C



Vacuum Connectors	00661
Screw cap GL-14	25435
Set of hose nipples GL-14, curved, compl. (qty. 4)	37287
Vertical Condenser S with distribution head (B) (incl. 25435 + hose nipple GL-14 compl.)	40651
Vertical Condenser S P+G with distribution (incl. 25435 + hose nipple GL-14 compl.)	40653

P+G = PLASTIC + GLAS

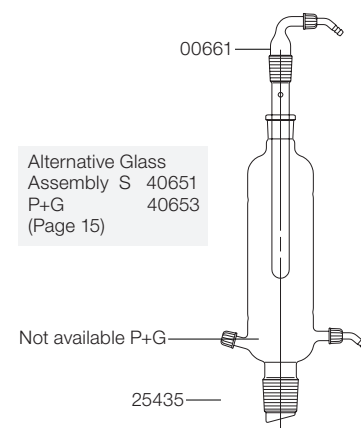
Cold trap	00672
Cold trap CR exterior (incl. hose nipple GL-14 compl.)	11228
Cold trap CR P+G exterior (incl. hose nipple GL-14 compl.)	25614
Seal PTFE/Viton	27462
Cover for cold trap	27479
Set of hose nipples GL-14, curved, compl. (qty. 4)	37287
Stop cock NS 18.8/38	40628

P+G = PLASTIC + GLAS

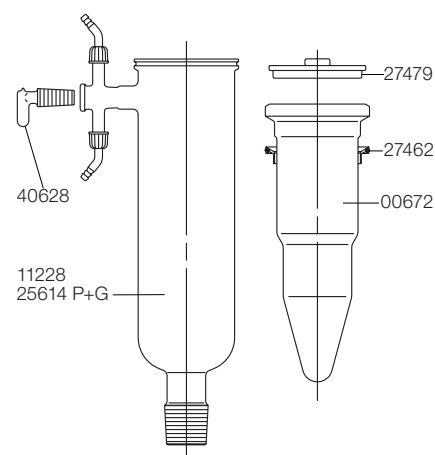
PTFE hose 300 mm	00646
Expansion vessel	01002
U-tube (incl. 25435)	01003
Vacuum adapter (incl. hose nipple GL 14 compl.)	01004
Clip for receiving flask	03275
Condenser (incl. hose nipple GL-14 compl.)	10183
Screw cap GL-14	25435
Expansion vessel P+G	33507
U-tube P+G (incl. 25435)	33508
Condenser P+G (incl. hose nipple GL-14 compl.)	33511
Set of hose nipples GL-14, curved, compl. (qty. 4)	37287
PTFE plate (drain plate)	40625
Stop cock NS 18.8/38	40627

P+G = PLASTIC + GLAS

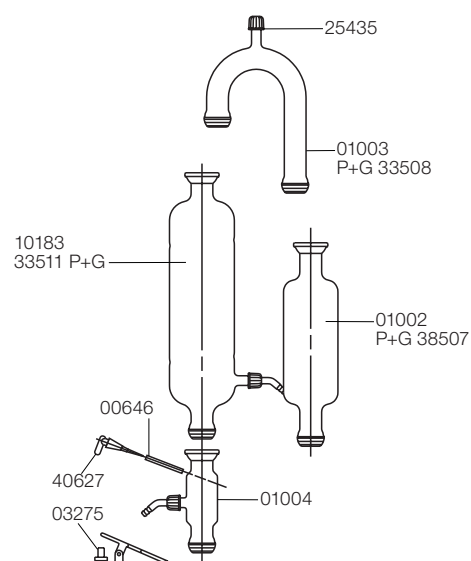
Glass Assembly S



Glass Assembly CR



Glass Assembly E



Spare Parts for Rotavapor® R-200/R-205

Spare parts for distribution head and Rotavapor®:

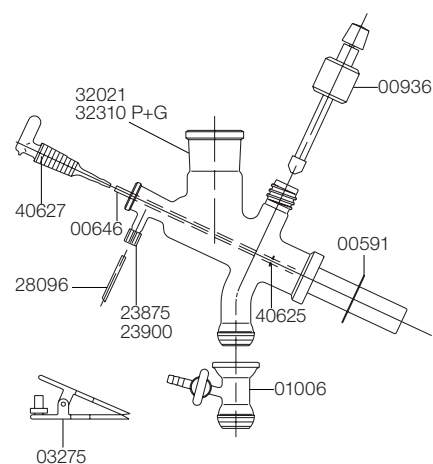
Distribution head S/CR, E for Rotavapor®:

R-114/R-124/R-134/R-144R-114/R-124/R-134/R-144-414

Distribution head S/CR (incl. 23875 + 23900)	32021
Distribution head S/CR complete	32331
Distribution head S/CR P+G (incl. 23875+ 23900)	32310
Distribution head S/CR complete P+G	32332
Distribution head E (incl. 23875 + 23900)	32049
Distribution head E P+G (incl. 23875 + 23900)	32048
Flat seal	00591
PTFE hose 300 mm	00646
Shut-off valve	00936
Vacuum adapter with cock	01006
Clip for receiving flask	03275
Screw cap GL-10	23875
O-ring 2,7 x 3 mm	23900
PTFE hose 600 mm	28096
PTFE plate (drain plate)	40625
Stop cock NS 18.8/38	40627

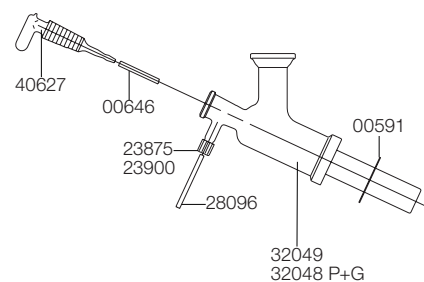
P+G = PLASTIC+GLAS

Distribution head S/CR



Flange Ø: 50 mm

Distribution head E



Flange Ø: 50 mm

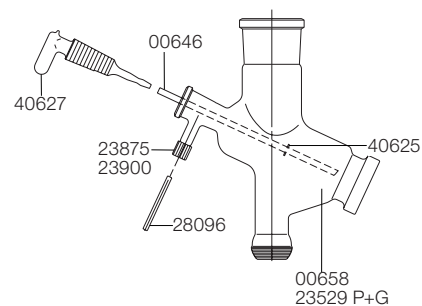
Distribution head B, S/EL, C, E for Rotavapor®:
RE-111/RE-121/RE-140/EL/EL-131/EL-141

Distribution head RE B	00658
Distribution head RE B P+G	23529
Distribution head EL S/EL C	27074
Distribution head for EL S/EL C P+G	25524
Distribution head E	27046
Distribution head E P+G	33506

Stop cock NS 18.8/38	40627
PTFE hose 300 mm	00646
Clip for receiving flask S-35	03275
Screw cap GL 10	23875
O-ring 2,7 x 3 mm	23900
PTFE hose 600 mm	28096
PTFE plate	40625

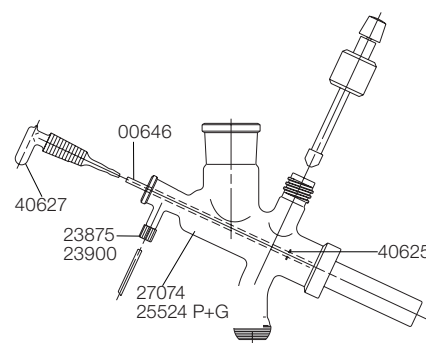
P+G = PLASTIC+GLAS

Distribution head RE B



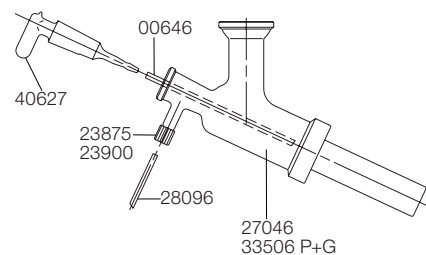
Flange Ø: 50 mm

Distribution head EL S/EL C



Flange Ø: 51 mm

Distribution head EL E



Flange Ø: 51 mm

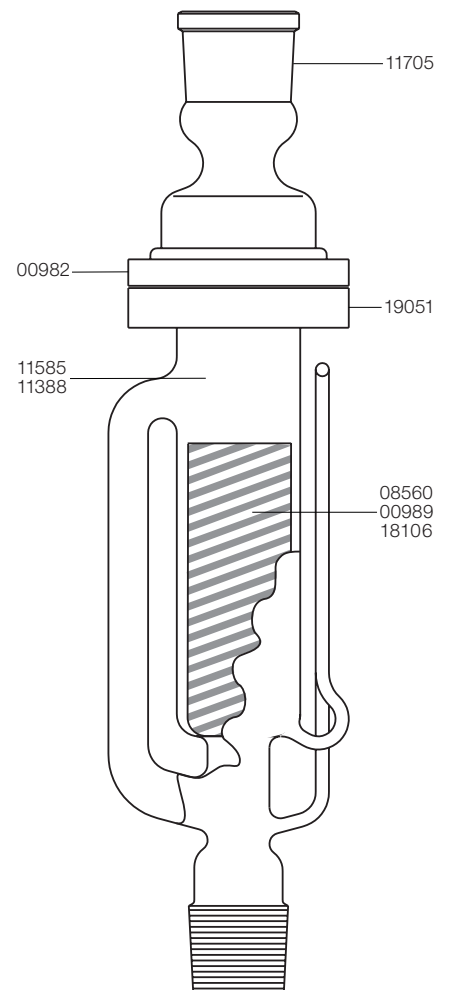
Special Assembly

Soxhlet» extraction unit

You can carry out extractions with this accessory combined with glass assembly S.

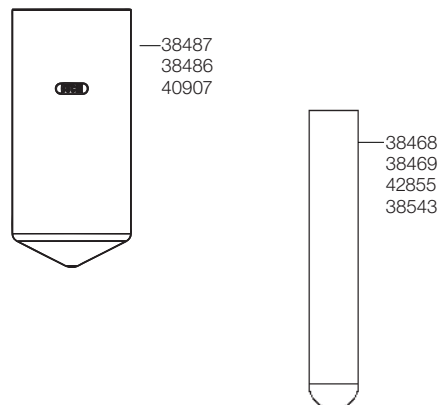
200 ml or 500 ml available.

Extraction unit cpl. 200 ml (11705 + 11585 + 11904 + 19051 + 00982 + 08560)	11744
Extraction unit cpl. 500 ml (11705 + 11388 + 11904 + 19051 + 00982 + 00989)	11745
Reduction part 200 und 500 ml-version	11705
Extraction vessel lower part. 200 ml	11585
Extraction vessel lower part. 500 ml	11388
Rod 12 x 750 mm	11904
PTFE O-ring	19051
Coupling cpl.	00982
1 x Extraction cartridges. 200 ml	08560
1 x Extraction cartridges. 500 ml	00989
25 x Extraction cartridges. 200 ml	18106



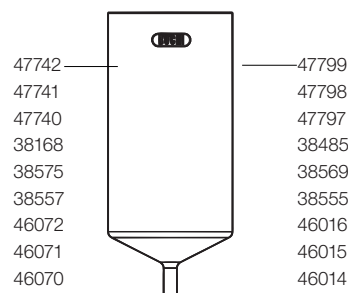
Polyvap/Reactor Tubes

Set of 4 vessels R-4 Polyvap	38487
Set of 6 vessels R-6 Polyvap	38486
Set of 12 vessels R-12 Polyvap	40907
Set of 50 test tubes for rack R-24	38469
Set of 50 test tubes for rack R-24, with screw cap	38468
Set of 100 test tubes for rack R-48	42855
Set of 100 test tubes for rack R-96	38543



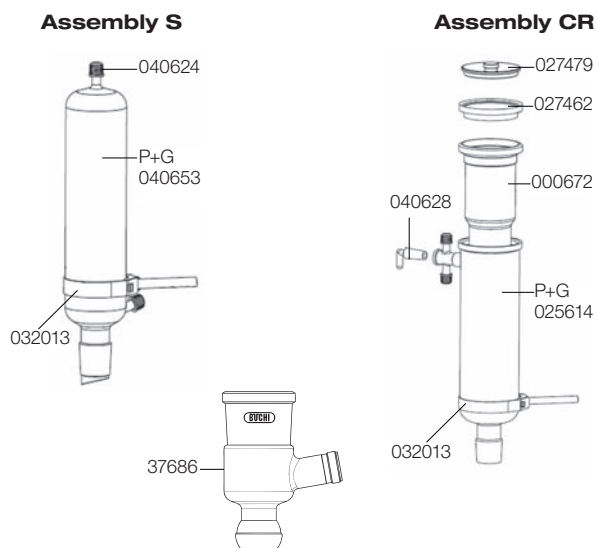
Analyst tubes

Set of vessels Analyst	with grad.	w/o grad.
R-4 / 4 pcs., 0.3 ml res. volume	47742	47799
R-4 / 4 pcs., 1.0 ml res. volume	47741	47798
R-4 / 4 pcs., 3.0 ml res. volume	47740	47797
R-6 / 6 pcs., 0.3 ml res. volume	38168	38485
R-6 / 6 pcs., 1.0 ml res. volume	38575	38569
R-6 / 6 pcs., 3.0 ml res. volume	38557	38555
R-12 / 12 pcs., 0.3 ml res. volume	46072	46016
R-12 / 12 pcs., 1.0 ml res. volume	46071	46015
R-12 / 12 pcs., 3.0 ml res. volume	46070	46014



Condenser

Vertical condenser S, P+G (incl. tube connection GL-14 complete)	40653
Set screw cap GL-14	40624
Rubber band	32013
Cold trap outer part P+G* (incl. tube connection GL-14 complete)	25614
Cold trap inner part	672
Seal PTFE / Viton complete	27462
Cap for cold trap	27479
Stop cocks SJ 18.8/38 for glass assemblies C/CR	40628
Vacuum stopper P+G	37686

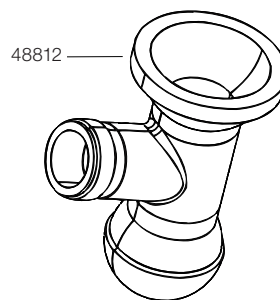


*For Cold Trap applications see Receiving Flasks P+G low temp. on Page 8

Multivapor™

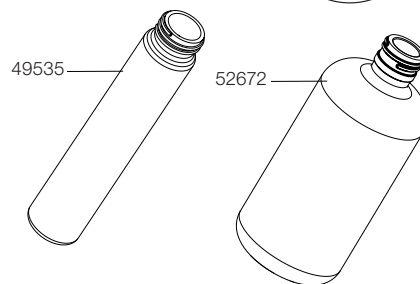
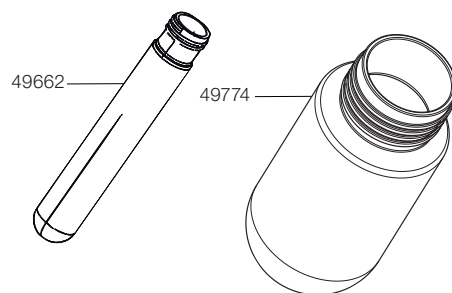
Rotavapor connection

T-piece with SVL 22 joint	48812
---------------------------	-------



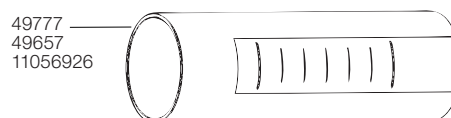
Sample vessels

Set of round bottom vessels with screw cap, Buchi P-12, 25 pcs.	49662
Set of flat bottom tubes, PSE/ASE, 72 pcs.	49535
Set of round bottom vessels with screws cap, Buchi P-6, 6 pcs.	49774
Set of bottles with screw cap, ASE 200, 6 pcs.	52672



Glass cylinder

Glass cylinder for crystal rack P-12 with level indication	49657
Glass cylinder for crystal rack P-6 with level indication	49777
Woulf Bottle	11056926



Rotavapor®

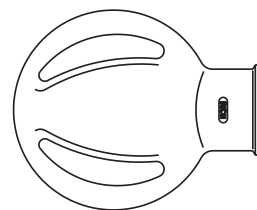
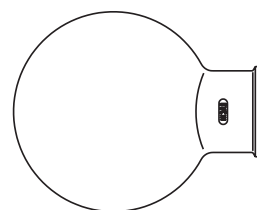
10/20 liters

Evaporating flasks

Model	Flask	Flange	Part no.
R-151/152	6 L	100	01156
	10 L	100	02608
	10 LD	100	02996
only R-151	20 L	100	11899
only R-152	20 L	100	27010
	20 LD	100	27472
R-153/R-220	6 L	150	27470
	10 L	150	27469
	10 LD	150	28592
	20 L	150	27468
	20 LD	150	28593

L = Liter

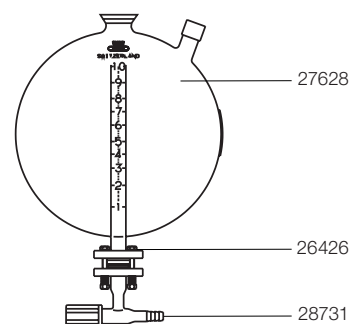
D = Drying flask



Receiving flasks

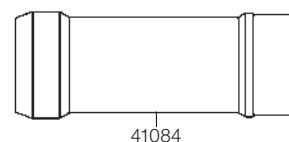
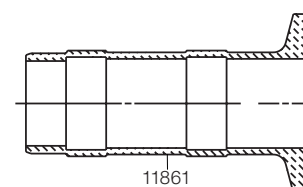
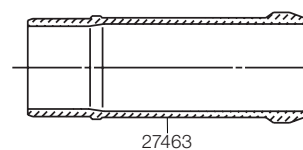
R-152, R-153	Receiving flask 10 L P+G	27628
	Outlet valve DN 15/10	28731
	SGJ-coupling cpl.	26426
R-220, R-220Ex	Receiving flask 10 L P+G	37569
	Receiving flask 10 L	46519
	Corner valve	41061
	Easy Clamp DN 25	41130

P+G = PLASTIC + GLAS



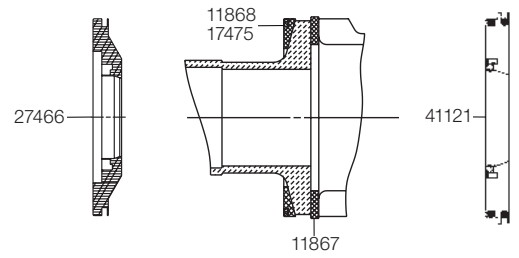
Vapor duct

R-153	Vapor duct	27463
R-151, R-152	Vapor duct	11861
R-220/R-250	Vapor duct	41084



Evaporating flask sealing

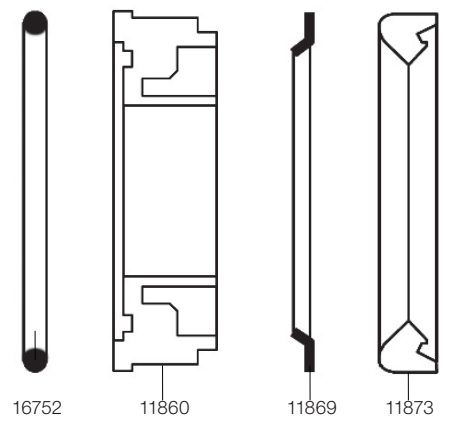
R-153	Evaporating flask seal cpl.	27466
R-151, R-152	Evaporating flask seal	11867
	Supporting ring for 11861	11868
	O-ring for 11868	17475
R-220/R-250	Evaporating flask seal cpl.	41121



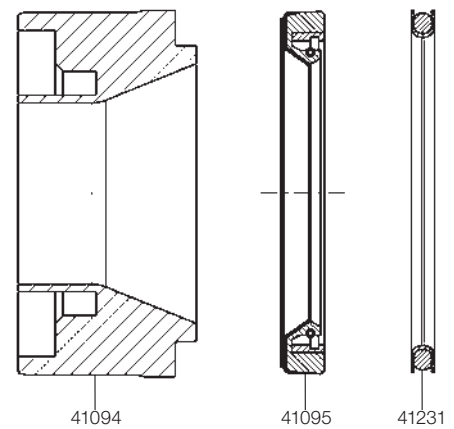
Sealing

R-151, R-152	Sealing system cpl.	16903
R-153	Seal holder	11860
	Deflector ring	11869
	Vacuum seal	11873
	O-ring	16752
R-220/R-250	Seal holder	41094
	Vacuum seal	41095
	O-ring, set of qty. 5	41231

16903



16752 11860 11869 11873



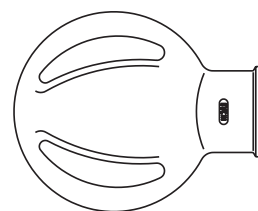
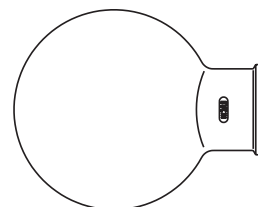
41094 41095 41231

Rotavapor®

20/50/100 liters

Evaporating flasks

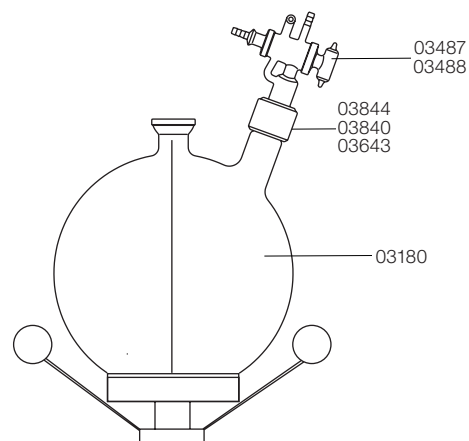
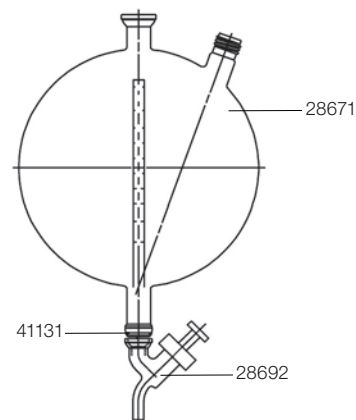
Model	Flask	Flange	Part no.
R-185/186	6 L	145	
	20 L	145	03777
	20 LD	145	03607
	50 L	145	03176
R-187	20 L	210	28880
	20 LD	210	28882
	50 L	210	27958
	50 LD	210	28878
	100 L	210	28704
R-250	20 L	150	41432
	20 LD	150	41393
	50 L	150	41339
	50 LD	150	41394



L = Liter D = Drying flask

Receiving flasks

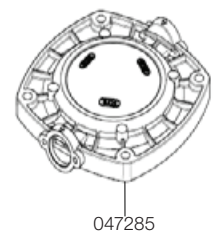
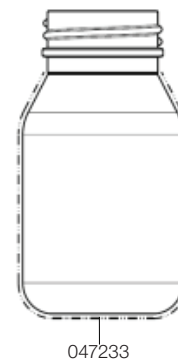
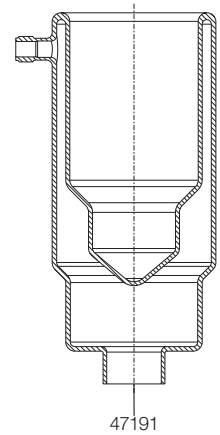
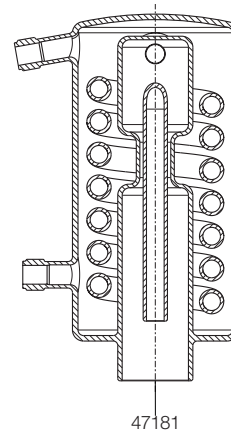
Model	Flask	Part no.
R-187	Receiving flask 20 L	28671
	Corner valve cpl.	28692
	Easy Clamp DN 40	41131
R-185, R-186	Receiving flask 20 L	03180
	Drain valve for 20 L	03488
	Screw cap GL 37	03844
	O-ring 25 x 4 mm	03840
	Sealing 5 x 12 mm	03643
R-250Ex	Receiving flask 20 L	28671
R-250/R-250Ex	Drain valve 20 L	41405
	Easy Clamp DN 25	41130
R-250	Receiving flask 20 L P+G	41446



Vacuum Systems

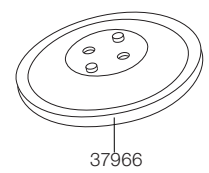
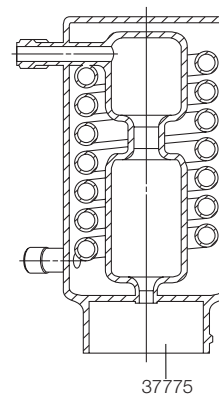
Vacuum Systems V-700/V-710

Secondary condenser	47181
Secondary cold trap, P+G coated	47191
Receiving flask, 500 ml	00424
Receiving flask, 500 ml, P+G coated	40774
Pump head	47015
Woulff bottle 850, P+G coated	47233



BUCHI Vacuum Systems V-500/V-513

Secondary condenser	37775
Receiving vessel for the condenser	37949
Receiving cup for the valve unit	38005
Glass head for pump Vac V-500	37966



Glass Oven / Mini Spray Dryer

Ball Tube Distillation B 580/B-585

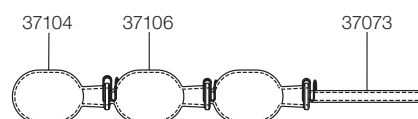
4 x 5 ml balls with

vapor duct cpl.	37118
End-ball 5 ml	37101
Mid-ball 5 ml	37102
Vapor duct STJ 14.5/23	37073



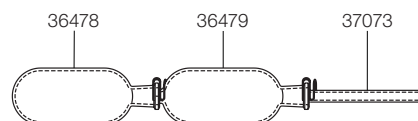
3 x 20 ml balls with

vapor duct cpl.	37107
End-ball 20 ml	37104
Mid-ball 20 ml	37106
Vapor duct STJ 14.5/23	37073



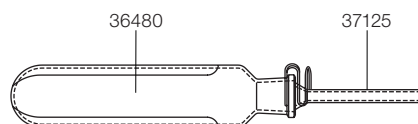
2 x 40 ml balls with

vapor duct cpl.	37117
End-ball 40 ml	36478
Mid-ball 40 ml	36479
Vapor duct STJ 14.5/23	37073



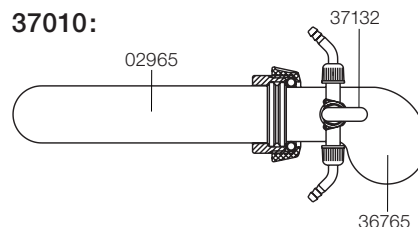
30 ml rotation-drying tube with

vapor duct cpl.	37143
Rotation-drying tube 30 ml	36480
Vapor duct STJ 24/29	37125



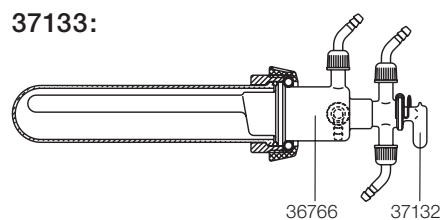
Drying B-580/B-585

Drying unit cpl.	37010
Drying tube 230 x 50	02965
Drying hood	36765
Cock STJ 18.8/26	37132



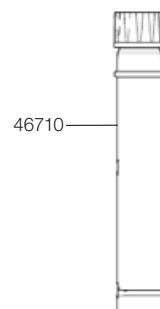
Sublimation B-580/B-585

Sublimation unit cpl.	37133
Drying tube 230 x 50	02965
Sublimation unit	36766
Cock STJ 18.8/26	37132



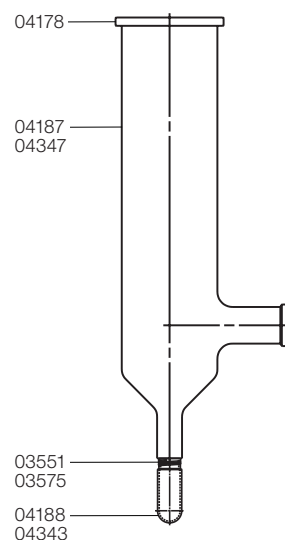
Freeze Drying B-580/B-585

Freeze drying accessory	46710
Cooler compl. with receiving flask	46711
Cold trap compl. with receiving flask	46712



Mini Spray Dryer B-190 / B-191

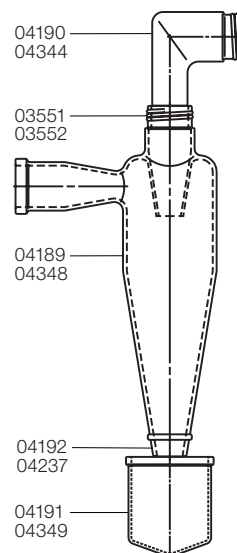
Set of complete glassware	27908
Screw cap SVL 42	03551
Silicon gasket 42 x 30	03552
PTFE-sealing 42 x 30	03575
Gasket for spray cylinder	04178
Spray cylinder	04187
Separator	04188
Cyclone	04189
Angle piece	04190
Product collecting vessel	04191
Seal for product vessel	04192
Flexinox 13/32-52	04237



Amberised glassware

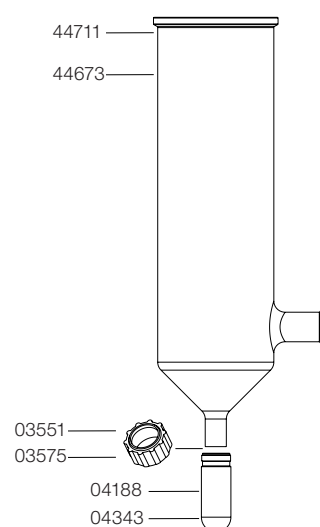
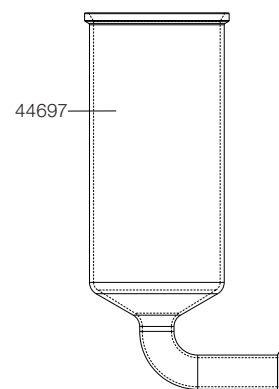
(protection for light sensitive substances)

Separator	04343
Angle piece	04344
Spray cylinder	04347
Cyclone	04348
Product collecting vessel	04349



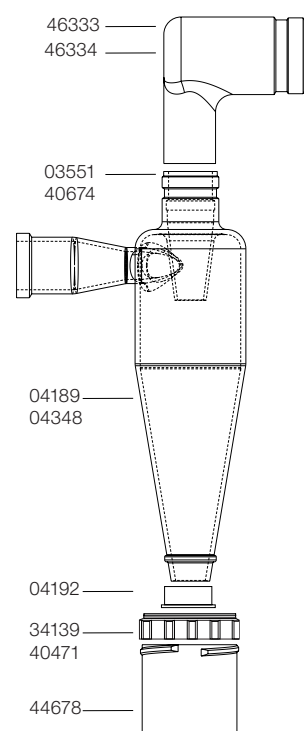
Mini Spray Dryer B-290

Screw cap SVL 42	03551
PTFE-sealing 42 x 30	03575
Separation flask	04188
Cyclone	04189
Seal to cyclone	04192
Flange screw coupling	34139
Seal to product collection vessel	40471
Silicone seal SVL 42	40674
Angle piece	46333
Spray cylinder, sideways outlet	44673
Spray cylinder, vertical outlet	44697
Product collection vessel	44678
O-ring to spray cylinder	44711
Cover to product collection vessel	46318
Angle piece	46333
Resistant O-ring set in Kalrez	46364
Plastic closure for product collection vessel	46358
Set of complete glassware	44680



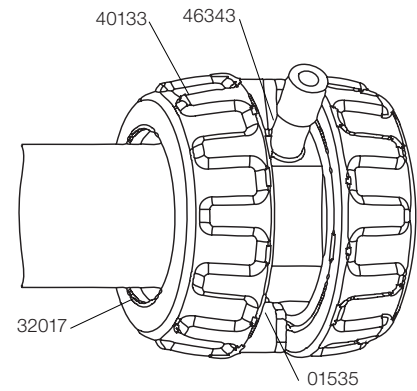
Amberised glassware (protection for light sensitive substances)

Separation flask	04343
Angle piece	46334
Spray cylinder, sideways outlet	44726
Spray cylinder, vertical outlet	44728
Cyclone	04348
Set of complete amberised glassware	44758
Product collection vessel	44727



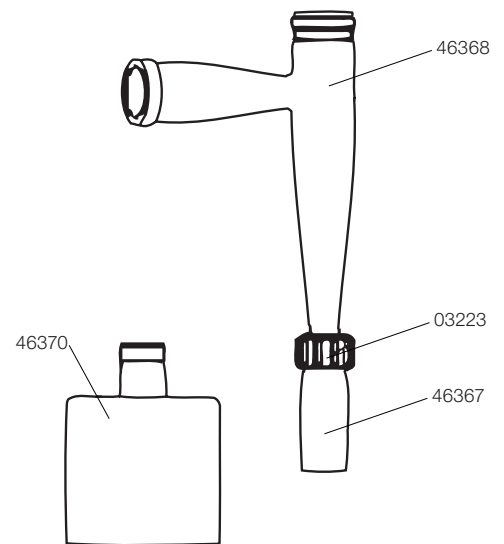
Glass parts flange

O-ring	01535
Tension spring	32017
Set flange screw coupling (2 units)	40133
Set O-ring and clamping ring (5 units)	46343
O-ring Kalrez for screw coupling	46363



High-performance cyclone

High-performance cyclone	46368
Small product collection vessel	46367
Screw ring SVL 30	03223
PTFE seal SVL 30 x 20	05203
Silicone seal 30 x 20	03561
High-performance cyclone compl.	46369
Large product collection vessel	46370



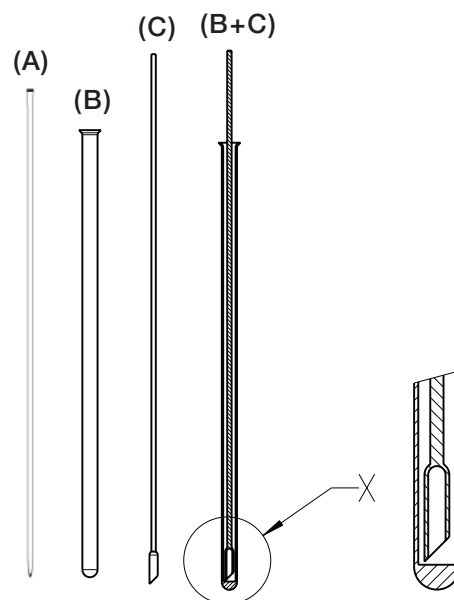
Melting Point / Boiling Point

BUCHI melting point & boiling point capillaries

For an accurate determination of a melting point & boiling point, the quality of the used tubes and capillaries is decisive.

The original BUCHI glass components guarantee uniform wall thickness at the sides and ends of the tubes and capillaries.

100 Melting point capillaries (A)	17808
1000 Melting point capillaries (A)	01759
10 Boiling point tubes (B)	19697
100 Boiling point tubes (B)	19007
10 Boiling point capillaries (C)	51850
100 Boiling point capillaries (C)	51890



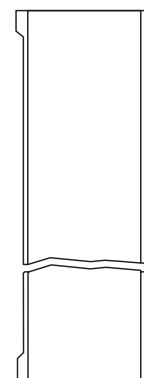
Preparative Chromatography

BUCHI Chromatography

BUCHI glass columns are made of very top grade borosilicate glass. Their solid flange construction allow separations up to 50 bar. See table below.

Glass tubes for Glass Columns B-680 & C-690 P+G

Length	Ø inner Diameter					
	15mm	26mm	36mm	49mm	70mm	100mm
100 mm	25559	25560	on demand	on demand	on demand	on demand
230 mm	28139	19674	19675	19676	19677	22971
460 mm	28147	17982	17981	17980	17979	22955
920 mm	44835	44836	44837	44838	44839	44840
Pressure Range	0-50 bar	0-40 bar	0-30 bar	0-20 bar	0-15 bar	0-10 bar



Glass tube

Pretreatment column

Glass tube D14/9,6 x 115 mm (small)	17988
Glass tube D26/20,4 x 115 mm (large)	22941

Thermostatic jacket for Plunger Columns C-695

For plunger column 26/460 (44062): Ø 50 mm	28401
For plunger column 36/460 (44063): Ø65 mm	28411
For plunger column 49/460 (44064): Ø 75 mm	28421

Glass tube for Plunger Columns C-695 (Length: 460 mm)

For plunger column 26/460 (44062): ID 26 mm	17982
For plunger column 36/460 (44063): ID 36 mm	17981
For plunger column 49/460 (44064): ID 49 mm	17980

Glass Cartridges P+G

Glass Cartridges L:150 mm Ø 25 mm	45274
-----------------------------------	-------

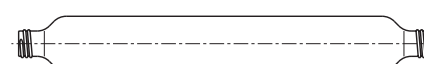
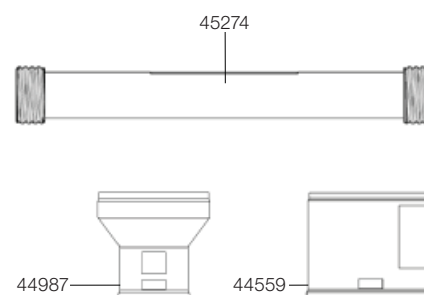
Fluidisation vessel for Cartridge C-670

Glass tube D14/9,6 x 115 mm (small)	44987
Glass tube D26/20,4 x 115 mm (large)	44559

Sample Chamber P+G

100 ml L: 240 mm Ø 32 mm	28193
250 ml L: 150 mm Ø 56 mm	54854
500 ml L: 330 mm Ø 56 mm	54859
1000 ml L: 330 mm Ø 80 mm	54864

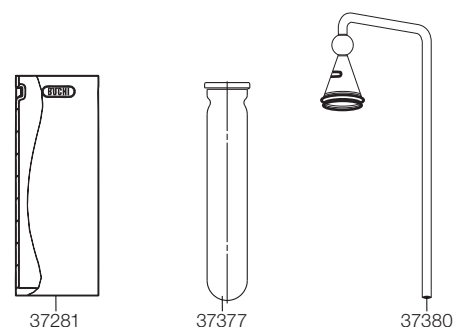
P+G = PLASTIC + GLAS coated



Hydrolysis Unit / Extraction Unit

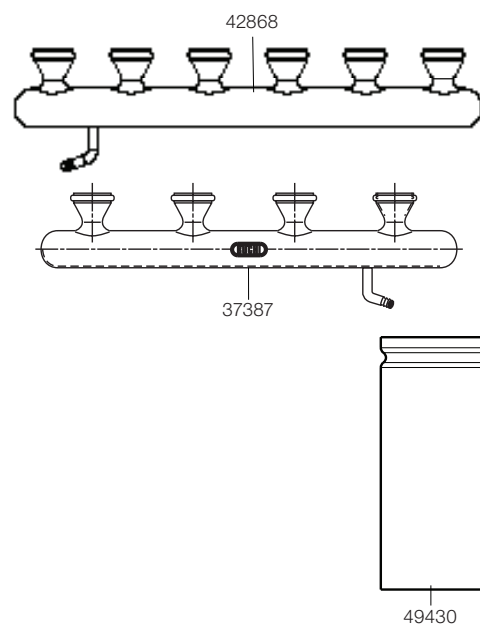
Hydrolysis Unit B-411

Suction tube B-411		37387
Sample aspiration tube	qty. 4	37380
Set of digestion tubes 300 ml	qty. 4	37377
Set of 4 glass sample tubes for B-811		37281
Set of 2 glass sample tubes for E-812/816		49430



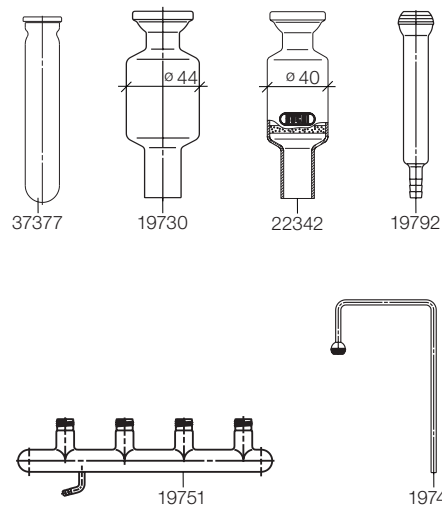
Hydrolysis Unit E-416

Suction tube E-416		42868
Sample aspiration tube	qty. 6	37380
Set of digestion tubes 300 ml	qty. 8	37377
Set of 4 glass sample tubes for B-811		37281
Set of 2 glass sample tubes for E-812/816		49430



Hydrolysis Unit B-425/B-428

Suction tube		19751
Sample aspiration tube		19742
Sintered glass crucibles standard	ø 44	19730
Sintered glass crucibles special	ø 40	22342
Crucible back wash tube		19792
Set of digestion tubes 300 ml	qty. 4	37377



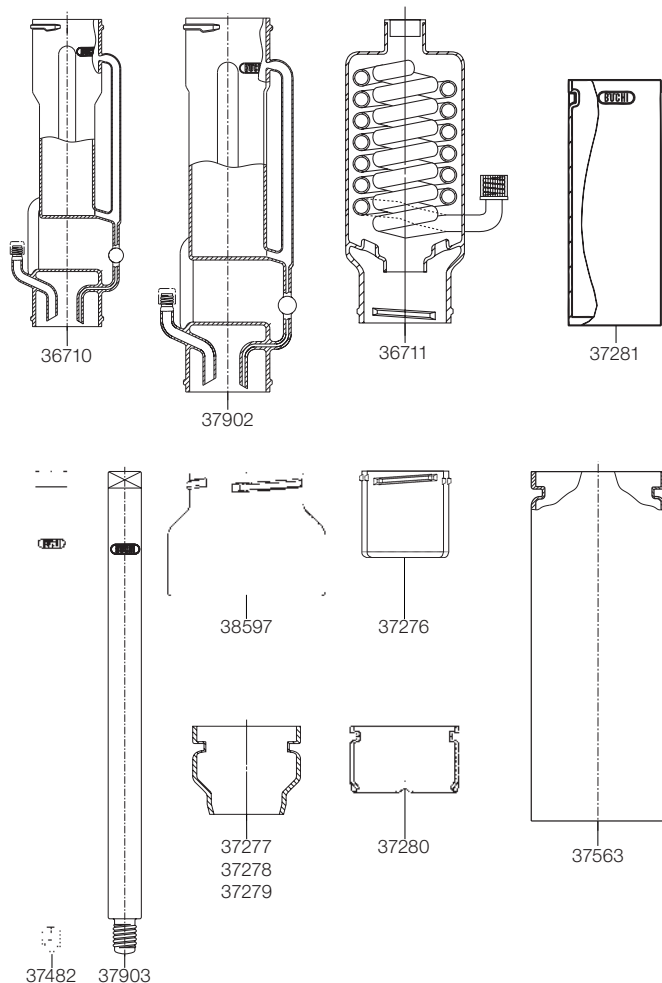
Extraction Unit

Universal Extraction Unit B-811

Condenser unit	36711
Extraction chamber	36710
Condensation tube	37482
Set of solvent beaker qty. 4	37276
Set of tube holders 43 x 123 mm qty. 4	37280
Set of tube holders 33 x 94 mm qty. 4	37279
Set of tube holders 22 x 80 mm qty. 4	37278
Set of tube holders 25 x 100 mm qty. 4	37277
Set of glass sample tubes qty. 4	37281

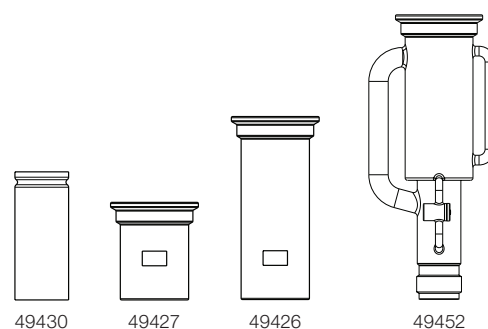
Condenser Unit	LSV*	36711
Extraction chamber	LSV*	37902
Condensation tube	LSV*	37903
Set of solvent beaker	LSV* qty. 4	38597
Set of glass sample tubes	LSV* qty. 4	37563

LSV* Large Sample Volume



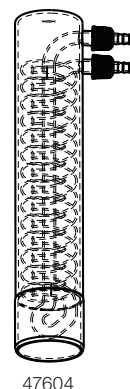
Extraction System E-812/816 SOX

		E-812	E-816	
Set of glass sample tubes	qty. 2	1 x 2	3 x 2	49430
Set of beakers Soxhlet	qty. 2	1 x 2	3 x 2	49427
Set of Soxhlet glass chamber	qty. 2	1 x 2	3 x 2	49452
Condenser complete, including connector, straight				47604



Extraction System E-812/816 HE

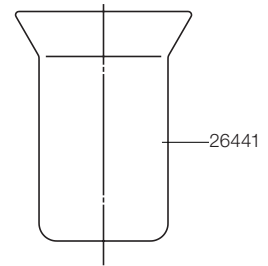
		E-812	E-816	
Set of glass sample tubes	qty. 2	1 x 2	3 x 2	49430
Set of beakers Hot Extraction	qty. 2	1 x 2	3 x 2	49426
Condenser complete, including connectors, straight				47604



Mixer / Wet Digester

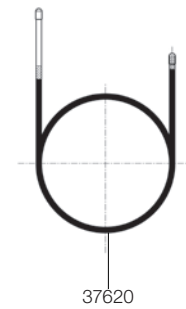
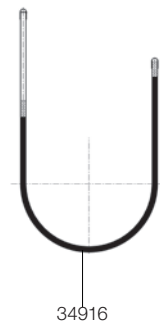
Mixer B-400

Sample vessel	26441
---------------	-------



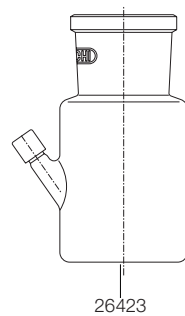
Fat Determination B-820/B-821

Separation column "Total Fat"	34916
Separation column "Falty Acids"	37620



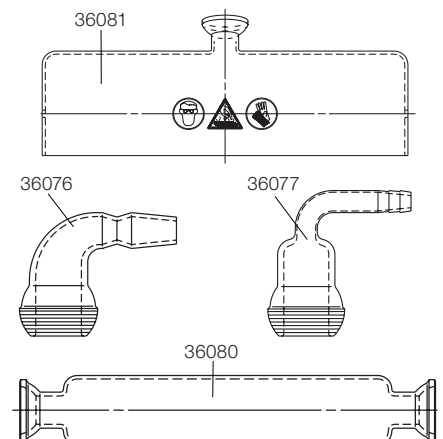
Fat Extraction B-815

Solvent vessel	26423
Adapter	26424
Cooler	26425



BUCHI Wet Digester B-440

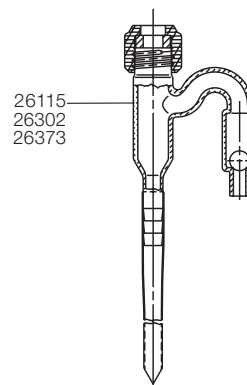
Separator, compl.	36119
Glass hood	36081
Condenser	36470
Receiving flask	423
Hose connection	36471
Connector for Exhaust Hood	36076
Glass ceramic plate D39	26661
Glass ceramic plate D48	36676
Glass ceramic plate D56	26663



Digestion / Distillation

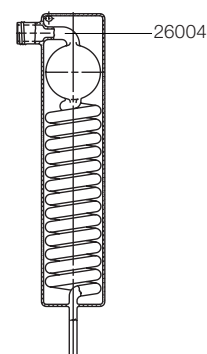
Distillation Unit K-314

Distillation outlet tube cpl.	26302
Splash protector (for BUCHI unit K-314)	36900
Condenser (for Büchi unit K-314)	26004
Sample tube 300 ml (4 pcs)	37377
Sample tube 500 ml (1 pcs)	26128
Sample tube 500 ml (4 pcs)	43982
Graduated sample tube (4 pcs)	43049



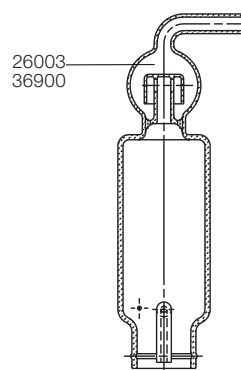
Distillation Unit B-323 / B-324

Distillation outlet tube cpl.	26115
Splash protector (for BUCHI unit B-324)	36900
Aspiration vessel	26002
Condenser (for Büchi unit B-324)	26004
Sample tube 300 ml (4 pcs)	37377
Sample tube 500 ml (1 pcs)	26128
Sample tube 500 ml (4 pcs)	43982
Graduated sample tube (4 pcs)	43049



Distillation Unit K-350 / K-355

Splash protector	43332
Splash protector Devarda	43335
Condenser	43320
Sample tube 300 ml (4 pcs)	37377
Sample tube 500 ml (1 pcs)	26128
Sample tube 500 ml (4 pcs)	43982
Graduated sample tube (4 pcs)	43049

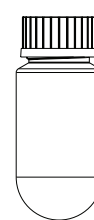


SpeedExtractor

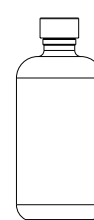
60 ml, flat (72 pcs.)	49535
220 ml, round (6 pcs.)	53207
240 ml, flat (6 pcs.)	52672



49535



53207



52672

KjelFlex K-360 / Auto Kjeldahl Unit K-370

Splash protector	43332
Splash protector Devarda	43335
Condenser	43320
Receiving vessel 340 ml	43333
Receiving vessel 420 ml	43390
Sample tube 300 ml (4 pcs)	37377
Sample tube 500 ml (1 pcs)	26128
Sample tube 500 ml (4 pcs)	43982
Graduated sample tube (4 pcs)	43049
Aspiration vessel	43341
SO ₂ Absorption glass	48680

Autosampler K-371

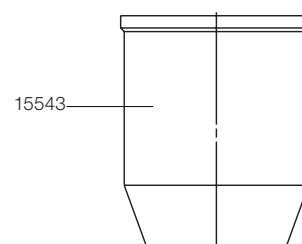
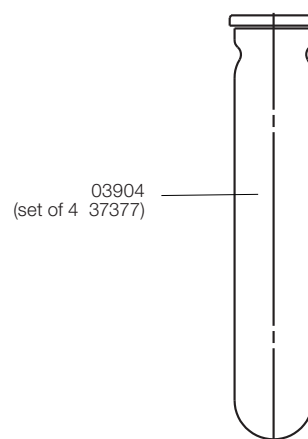
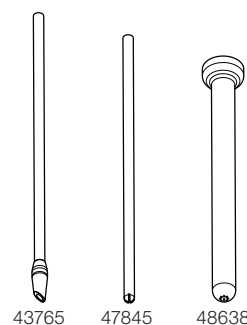
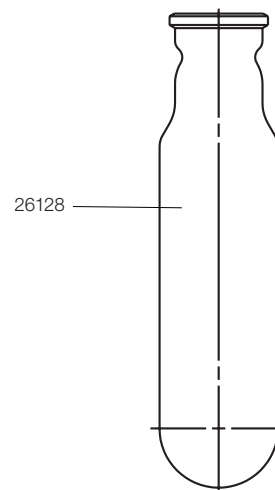
Dip tube	43765
Sample tube 500 ml	26128
Sample tube 500 ml qty. 4	43982
Dip tube with cross slit	47845
Glassfinger for sample tubes	48638

BUCHI Distillation Unit B-339

Receiving vessel	15543
Distillation outlet tube cpl.	26373
Aspiration vessel	26002
Splash protector	36900
Condenser	26004
Sample tube 300 ml (4 pcs)	37377
Sample tube 500 ml (1 pcs)	26128
Sample tube 500 ml (4 pcs)	43982
Graduated sample tube (4 pcs)	43049

BUCHI Distillation Unit B-316

Distillation outlet tube cpl.	26302
Splash protector (for BUCHI unit B-316)	26003
Condenser (for Büchi unit B-316)	26004
Sample tube 300 ml (4 pcs)	37377
Sample tube 500 ml (1 pcs)	26128
Sample tube 500 ml (4 pcs)	43982
Graduated sample tube (4 pcs)	43049

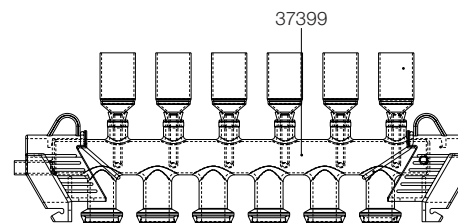
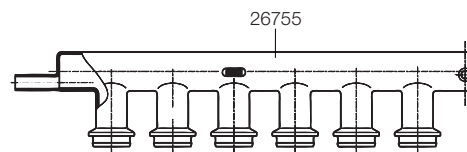


Accessories

Digestion Unit / Scrubber

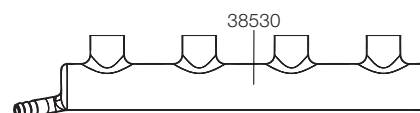
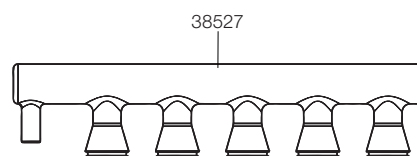
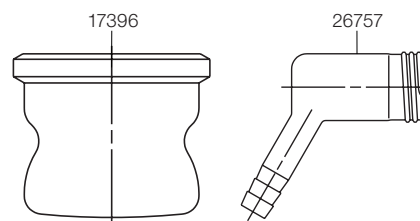
Digestion Units K-424/K-435/B-426

Suction tube incl. standard seals	26755
Suction tube with ball joint	40158
Connector for suction tube with ball joint	40159
Connector for suction tube	26757
Glass cap	17396
Suction tube with condensation gatter, incl. standard seals	26880
Suction tube for digestions with H ₂ O ₂ , incl. standard seals	37399
Condensation bottle cpl.	25100
Trace metal accessory	43677
Adsorption Vessel	48669
Condenser	11218
Connection for suction tube	26875
Suction tube for Tecator/Gerhardt	38069



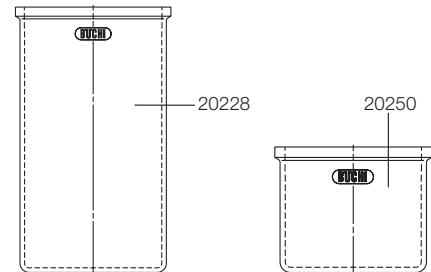
Digestion System K-437 Digestion Automat K-438

Sample tube COD (Set of 4)	43961
Condenser COD (Set of 4)	43962
Glass cap	17396
Suction tube	38527
Acid fume collecting tube	38530
Suction tube with condensation trap	38640
Glass cap	40049
Digestion rods	43087
Suction tube	43972
Suction tube with condensate trap	43075
Sample tubes qty. 4	43982
Collection tube	43974
Glass cap	40049
Digestion rods	43087



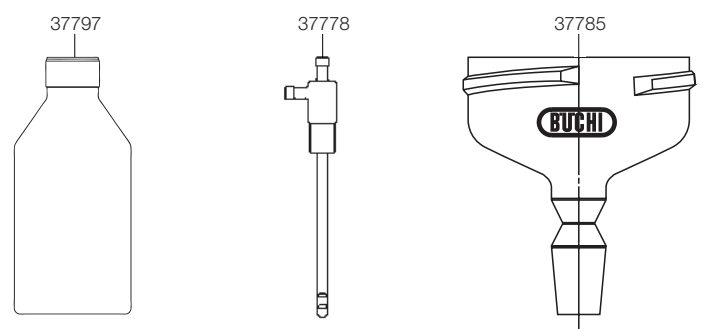
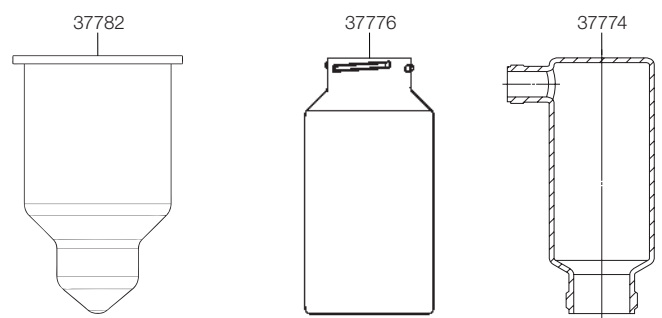
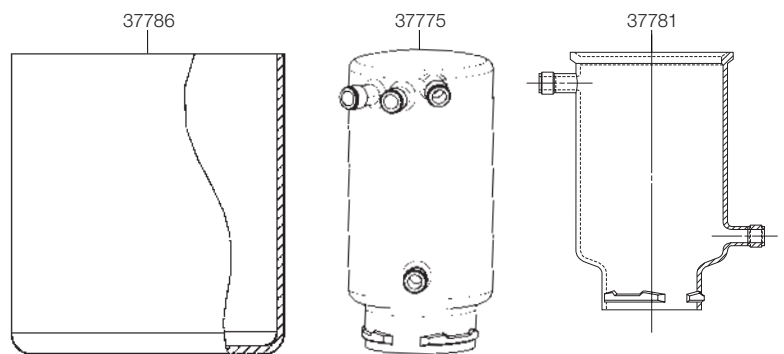
Scrubber B-412

Wash vessel	20228
Glass connection D12	20518
Glass-Y-piece	20519
Filter vessel	20250



Scrubber B-414

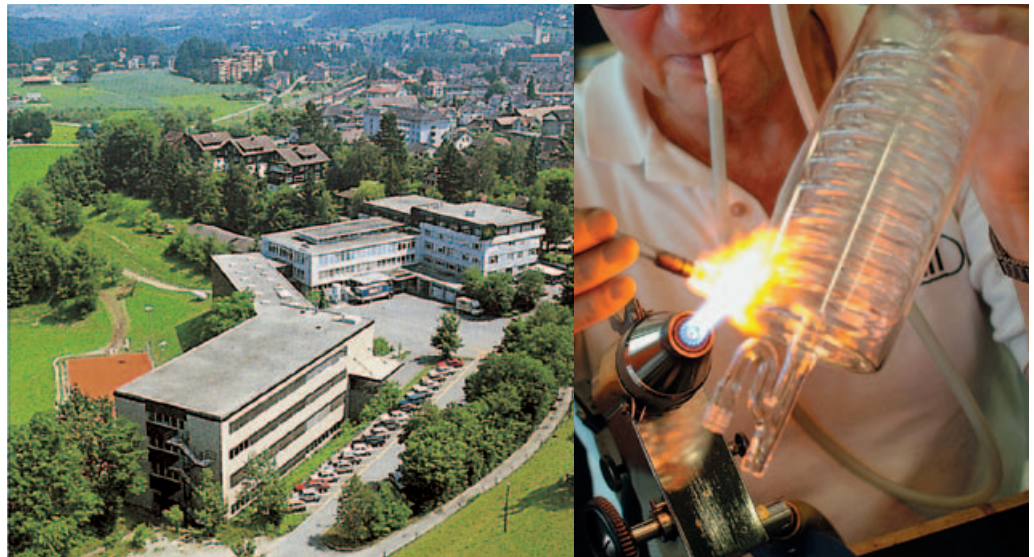
Neutralisation vessel	37786
Condenser	37775
Cold trap	37781
Trap unit for cold trap (without seal)	37782
Condensate vessel (1,2 lt)	37776
Large condensate vessel (4,0 lt)	48668
Adsorption vessel	37774
Reaction vessel (1,0 lt)	37797
Introduction tube assembly	37778
Adapter for 4,0 lt condensate vessel	48662
Condensate drain	37785



Global Partnership

This the guiding principle we follow in our production of efficient equipment and systems for the laboratory. We want to provide our customer with the best possible support. Customer wishes are often the starting point for innovative new developments.

Are you looking for a creative solution to your special needs? Speak with us. We'll listen closely to what you have to say!



The main Büchi factory in Flawil, Switzerland. From here we work with our exclusive agencies in more than 120 countries all over the world.

BUCHI Labortechnik AG
Postfach
9230 Flawil 1
Schweiz
T +41 71 394 63 63
F +41 71 394 65 65
buchi@buchi.com
www.buchi.com

BUCHI Labortechnik GmbH
Postfach 10 03 51
45003 Essen
Deutschland
Freecall 0800 414 0 414
T +49 201 747 490
F +49 201 237 082
deutschland@buchi.com
www.buechigmbh.de

BUCHI Labortechnik GmbH
Branch Office Netherlands
Postbus 142
3340 AC Hendrik-Ido-Ambacht
The Netherlands
T +31 78 684 94 29
F +31 78 684 94 30
netherlands@buchi.com
www.buchi.nl

BUCHI Italia s.r.l.
Centro Direzionale, Milano Fiori
Pal. A-4, Strada 4
20090 Assago (MI)
Italia
T +39 02 824 50 11
F +39 02 57 51 28 55
italia@buchi.com
www.buchi.it

BUCHI India
Private Ltd.
201, Magnum Opus
Shantinagar Industrial Area
Vakola, Santacruz (East)
Mumbai 400 055,
India
T +91 22 667 18983 / 84 / 85
F +91 22 667 18986
www.buchi.com

BUCHI (Thailand) Ltd.,
77/121, Sin Sathon Tower,
28th FL, Unit C
Krungthoburi Rd.
Klongtong Sai, Klongsan
Bangkok 10600
Thailand
T +66 2 862 08 51
F +66 2 862 08 54
bacc@buchi.com
www.buchi.com

BUCHI Corporation
19 Lukens Drive, Suite 400
New Castle
Delaware 19720
USA
T +1 302 652 3000
F +1 302 652 8777
Toll Free: +1 877 692 8244
us-sales@buchi.com
www.mybuchi.com

BUCHI Hong Kong Ltd.
14th Floor South China Building
1-3 Wyndham Street
Central, Hong Kong
China
T +852 2389 2772
F +852 2389 2774
china@buchi.com
www.buchi.com.cn

BUCHI Shanghai Trading LLC
21/F Shanghai Industrial
Investment Building
18 Caoxi Bei Road
200030 Shanghai
China
T +86 21 6468 1888
F +86 21 6428 3890
china@buchi.com
www.buchi.com.cn

BUCHI UK Ltd
5 Whitegate Business Centre
Jardine Way
Chadderton
Oldham OL9 9QL
United Kingdom
T +44 161 633 1000
F +44 161 633 1007
uk@buchi.com
www.buchi.co.uk

BUCHI Sarl
5, rue du Pont des Halles
Z.A. du Delta
94656 Rungis Cedex
France
T +33 1 56 70 62 50
F +33 1 46 86 00 31
france@buchi.com
www.buchi.fr

Nihon BUCHI K.K.
3F IMON Bldg.,
2-7-17 Ikenohata, Taito-ku,
Tokyo 110-0008
Japan
T +81 3 3821 4777
F +81 3 3821 4555
nihon@buchi.com
www.nihon-buchi.jp

We are represented by more than 100 distribution partners worldwide. Find your local representative at www.buchi.com

Quality in your hands